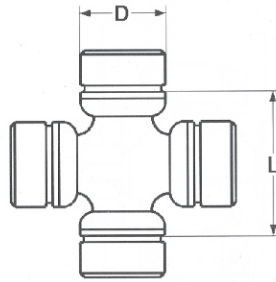
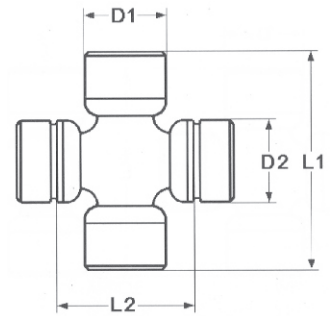


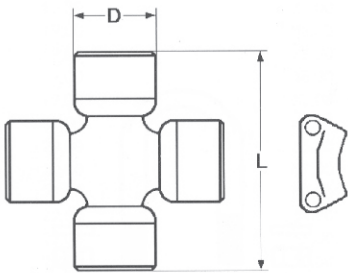
**Model 1**  
page 2



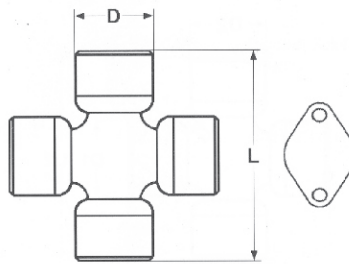
**Model 2**  
page 3



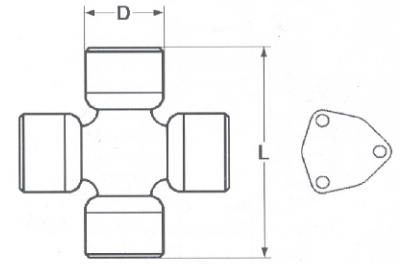
**Model 3**  
page 4



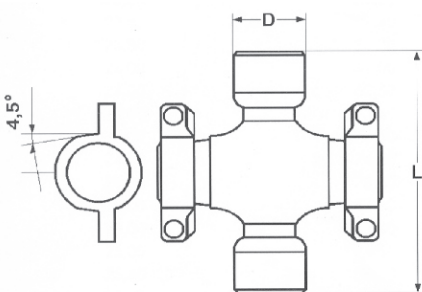
**Model 4**  
page 5



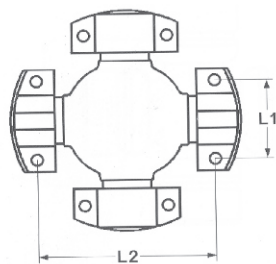
**Model 5**  
page 6



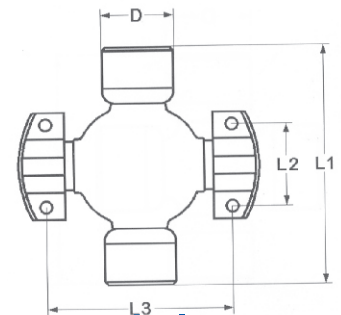
**Model 6**  
page 7



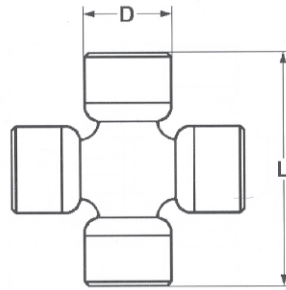
**Model 7**  
page 5



**Model 10**  
page 6



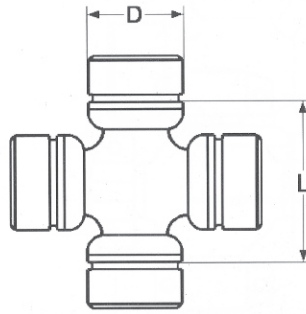
**Model 11**  
page 7



## MODEL 1

CL= CENTRAL LUBRICATION    LL= LATERAL LUBRICATION  
 LC= LUBRICATION IN CAP    SF= SEALED FOR LIFE

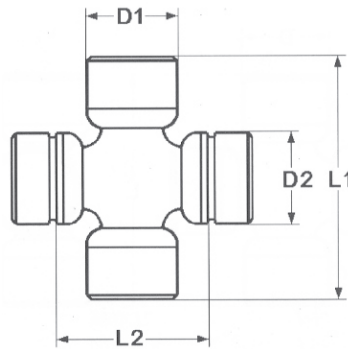
CAP Ø D IN MM	CAP Ø D IN MM	LENGTH L IN MM	LENGTH L IN MM	LUBRI- CATION	REMARK	ARTICLE NUMBER	WEIGHT IN KG
15,00		38,00		SF	STAKED	ME 1001	0,100
15,00		40,00		SF	STAKED	ME 1001	0,100
15,00		40,00		CL		ME 1001	0,100
16,00,		38,00		SF	STAKED	ME 1001	0,100
16,00		40,00		SF	STAKED	ME 1001	0,100
17,00		41,00		CL		ME 1001	0,100
17,00		41,00		LC		ME 1001	0,100
19,00		44,00		CL		ME 1001	0,140
19,00		48,00		CL		ME 1001	0,150
19,00		48,00		LC		ME 1001	0,150
19,00		48,00		VIA CAP	DOUBLE JOINT	ME 1001	0,150
19,00		48,00		SF	STAKED	ME 1001	0,160
19,00		52,00		CL		ME 1001	0,150
20,00		44,00		SF		ME 1001	0,140
20,00		55,00		SF	DAIHATSU	ME 1001	0,180
20,00		57,00		LC		ME 1001	0,210
22,00		50,00		CL		ME 1001	0,180
22,00		54,80		CL		ME 1001	0,220
22,00		55,00		CL		ME 1001	0,240
22,00		58,00		CL	ELBE 0,107	ME 1001	0,220
22,00		58,00		LC	ELBE 0,107	ME 1001	0,220
22,00		58,70		CL	W ELBE 075	ME 1001	0,250
22,00		58,70		LC	W ELBE 075,002	ME 1001	0,250
22,00		59,00		CL	473,30	ME 1001	0,250
22,00		59,00		LC	473,30	ME 1001	0,250
22,00		64,00		SF	STAKED	ME 1001	0,250
22,00		67,00		SF	STAKED	ME 1001	0,310
22,20		62,00		LC		ME 1001	0,270
23,00		58,20		SF		ME 1001	0,260
23,80		61,30		LL	SPICER 1110 STD,	ME 1001	0,280
23,80		61,30		CL	SPICER 1110	ME 1001	0,250
23,80	27,00	57,40	56,20			ME 1001	0,400
23,80		61,30		SF	SPICER 1110	ME 1001	0,280
24,00		61,00		CL		ME 1001	0,320
24,00		62,50		SF	STAKED	ME 1001	0,320
24,00		63,40		SF		ME 1001	0,280
24,00		74,00		SF	STAKED	ME 1001	0,360
24,00		74,50		SF	STAKED WITH HOLE	ME 1001	0,360
24,00		78,00		SF	STAKED	ME 1001	0,400
25,00		57,40		LC		ME 1001	0,310
25,00		63,80		LC	MITSUBISHI	ME 1001	0,300
25,00		76,50		LL	MITSUBISHI	ME 1001	0,380
25,40		38,83				ME 1001	0,480
25,40	28,60	54,70	54,70	LL		ME 1001	0,480



## MODEL 1

CL= CENTRAL LUBRICATION    LL= LATERAL LUBRICATION  
 LC= LUBRICATION IN CAP    SF= SEALED FOR LIFE

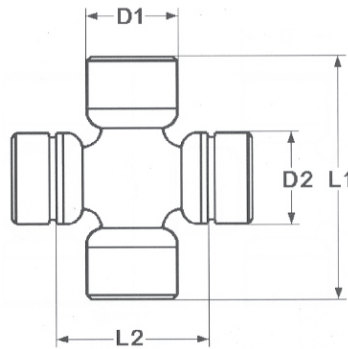
CAP Ø D IN MM	CAP Ø D IN MM	LENGTH L IN MM	LENGTH L IN MM	LUBRI- CATION	REMARK	ARTICLE NUMBER	WEIGHT IN KG
26,00		69,70		LC		ME 1001	0,380
26,00		69,70		CL	WET 090	ME 1001	0,380
26,00		69,80		CL	287,00	ME 1001	0,400
26,00		69,90		SF	MB 207	ME 1001	0,400
26,00		72,10		LC	SERIE 30	ME 1001	0,390
27,00		61,90		LL	SPICER 1210	ME 1001	0,350
27,00		61,90		SF	SPICER 1210 BRUTE FORCE	ME 1001	0,350
27,00		66,00		CL	SPICER 1210	ME 1001	0,450
27,00		70,00		CL		ME 1001	0,430
27,00		71,00		SF	STAKED TRANSIT	ME 1001	0,470
27,00		74,00		SF	STAKED SPRINTER	ME 1001	0,490
27,00		74,20		LL	SPICER 1300 STD,	ME 1001	0,420
27,00		74,50		CL	SPICER 1300	ME 1001	0,450
27,00		74,50		CL	WITH HOLE	ME 1001	0,420
27,00		74,50		CL	COMPACT 2015	ME 1001	0,450
27,00		80,00		SF	STAKED	ME 1001	0,550
27,00		82,60		SF	SPICER 1310 BRUTE FORCE	ME 1001	0,480
27,00		82,60		LL	SPICER 1310 HD	ME 1001	0,480
27,00		82,60		LL	SPICER 1310 STD,	ME 1001	0,480
27,00		82,60		LC	SPICER 1310	ME 1001	0,480
27,00		82,60		LL	REINFORCED	ME 1001	0,480
27,00	27,00	82,60	92,00	LL	1310/1330	ME 1001	0,520
27,00	30,20	82,60	92,00	LL	1310/1350	ME 1001	0,610
27,00		92,00		LL	SPICER 1330 STD,	ME 1001	0,580
27,00		92,00		SF	BRUTE FORCE	ME 1001	0,580
27,00	30,20	92,00	92,00	LL	1330/1350	ME 1001	0,660
28,00		70,80				ME 1001	0,460
28,00		71,50		CL	ELBE 0,109	ME 1001	0,460
28,00		71,50		LC	ELBE 0,109	ME 1001	0,460
28,00		80,00		CL	DAIHATSU	ME 1001	0,520
28,50		71,50		CL	ELBE 0,109	ME 1001	0,500
28,60		66,90		CL		ME 1001	0,460
28,60		77,90		LL		ME 1001	0,490
28,60	30,20	92,00	92,00	LL		ME 1001	0,680
29,00		76,00		SF	VAUXHALL U706	ME 1001	0,600
30,00		78,20		CL	MITSUBISHI	ME 1001	0,600
30,00		81,70		CL	287,10	ME 1001	0,626
30,00		81,70		LC	287,10	ME 1001	0,626
30,00		82,40		CL	GEWES 287,10	ME 1001	0,650
30,00		82,40		CL	WET 100	ME 1001	0,650
30,00		83,00		CL	ELBE 0,110	ME 1001	0,660
30,00		83,00		LC	ELBE 0,110	ME 1001	0,660
30,00		83,00		VIA CAP	ELBE 0,110,017 DOUBLE JOINT	ME 1001	0,660
30,20		82,00		CL	COMPACT 2020	ME 1001	0,600



## MODEL 1

CL= CENTRAL LUBRICATION    LL= LATERAL LUBRICATION  
 LC= LUBRICATION IN CAP    SF= SEALED FOR LIFE

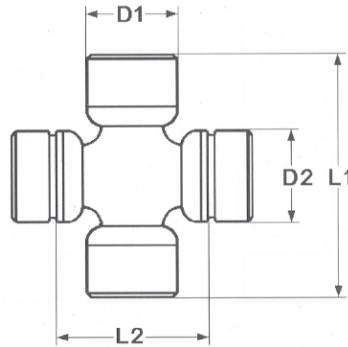
CAP Ø D IN MM	CAP Ø D IN MM	LENGTH L IN MM	LENGTH L IN MM	LUBRI- CATION	REMARK	ARTICLE NUMBER	WEIGHT IN KG
30,20		106,40		LL	SPICER 1410 STD,	ME 1001	0,860
30,20		92,00		LL	SPICER 1350 STD,	ME 1001	0,690
30,20		92,00		SF	BRUTE FORCE	ME 1001	0,690
31,00		88,20		LC	STAKED MB	ME 1001	0,740
31,00		110,00		SF	MB ATEGO	ME 1001	
31,30	30,20	71,40	106,40	LL		ME 1001	0,890
31,80		81,60		CL		ME 1001	0,680
31,80		81,60		LC		ME 1001	0,690
32,00		76,00		CL	SERIE 42	ME 1001	0,820
32,00		86,00		LL		ME 1001	0,820
32,00		95,60		LL		ME 1001	0,820
32,00		106,40		LL		ME 1001	0,900
34,00		89,00		CL	UNIMOG	ME 1001	0,830
34,00		97,00		VIA CAP	DOUBLE JOINT ELBE 0,112	ME 1001	1,100
34,00		97,00		CL	ELBE 0,112 OLD	ME 1001	1,100
34,00		97,00		LC	ELBE 0,112 OLD	ME 1001	1,100
34,90		92,20		CL	COMPACT 2025	ME 1001	0,900
34,90		106,40		LL	SPICER 1480	ME 1001	1,200
34,90		106,45		CL	COMPACT 2030	ME 1001	1,200
34,90		126,20		LL	SPICER 1550	ME 1001	1,360
35,00		93,00		SF	ATLAS	ME 1001	0,950
35,00		96,80		CL	287,20	ME 1001	1,100
35,00		96,80		CL	287,20	ME 1001	1,100
35,00		96,85		CL	587,10	ME 1001	1,100
35,00		97,00		CL	ELBE 0,112 NEW	ME 1001	1,100
35,00		97,00		LC	ELBE 0,112 NEW	ME 1001	0,900
38,00		89,20		SF		ME 1001	0,970
38,00		104,00		LC	469,30	ME 1001	1,400
38,00		105,80		CL	GWB	ME 1001	1,300
38,00		105,80		CL	GWB	ME 1001	1,300
38,00		106,00		CL	ELBE 0,113	ME 1001	1,400
38,00		106,00		LC	ELBE 0,113	ME 1001	1,400
38,00		110,00		CL	MAN	ME 1001	1,300
38,00		110,00		SF	MAN L2000	ME 1001	1,300
38,00		112,00		LL		ME 1001	1,200
38,90		109,50			CP55N	ME 1001	1,340
39,70		115,90		LL	SPICER 1510 STD,	ME 1001	1,600
39,70		115,90		CL		ME 1001	2,000
41,00		126,20		CL	SPL 90	ME 1001	3,700
41,20		142,00		LL	SPICER 1650 STD,	ME 1001	2,200
41,30		126,70		CL	CP750-N`	ME 1001	2,200
42,00		104,50		CL	587,15	ME 1001	1,500
42,00		104,50		CL	587,15	ME 1001	1,500
42,00		104,50		CL	587,15	ME 1001	1,500



## MODEL 1

CL= CENTRAL LUBRICATION    LL= LATERAL LUBRICATION  
 LC= LUBRICATION IN CAP    SF= SEALED FOR LIFE

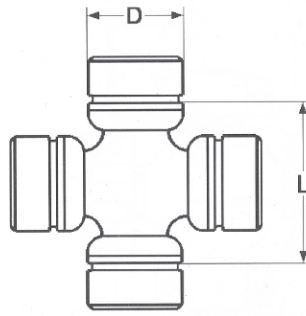
CAP Ø D IN MM	CAP Ø D IN MM	LENGTH L IN MM	LENGTH L IN MM	LUBRI- CATION	REMARK	ARTICLE NUMBER	WEIGHT IN KG
42,00		106,00		CL	286,22	ME 1001	1,500
42,00		106,00		CL	286,22	ME 1001	1,500
42,00		119,00		CL	COMPACT 2035	ME 1001	1,900
42,00		119,00		SF	LONG LIFE	ME 1001	1,900
42,00		122,00		CL		ME 1001	1,900
42,00		123,00		CL	ELBE 0,115	ME 1001	1,800
42,00		123,00		LC	ELBE 0,115	ME 1001	1,900
44,00		124,80		CL		ME 1001	2,100
44,00		124,80		LC		ME 1001	2,200
44,00		126,00		LL	CIRCLIPS	ME 1001	2,100
44,00		149,00		CL	SCANIA T60	ME 1001	2,300
45,00		120,40		CL	SCANIA T70	ME 1001	2,100
45,00		131,00		CL	ELBE 0,116	ME 1001	2,300
45,00		152,00		CL	ELBE 0,118	ME 1001	2,900
47,00		156,00		CL	TATRA	ME 1001	2,900
47,00		131,00		CL		ME 1001	2,500
47,60		135,10		CL	GLAENZER COMPACT 706	ME 1001	2,600
47,60		135,17		CL	COMPACT 2040	ME 1001	2,600
48,00		135,40		CL	KLEIN 2040	ME 1001	2,500
48,00		116,50		CL	587,20	ME 1001	2,200
48,00		116,50		CL	587,20	ME 1001	2,500
48,00		116,50		SF	LONG LIFE	ME 1001	2,200
48,00		126,00		CL	MB 286,33	ME 1001	2,500
48,00		126,00		CL	MB 286,33	ME 1001	2,500
48,00		126,00		LC	MB 286,33	ME 1001	2,400
48,00		126,00		SF	LONG LIFE	ME 1001	2,500
48,00		131,20		CL		ME 1001	2,900
48,00		134,00		CL		ME 1001	2,500
48,00		135,40		CL	COMPACT 2040 KLEIN	ME 1001	2,500
48,00		135,40		SF	LONG LIFE	ME 1001	2,500
49,20		154,93		CL	COMPACT 2050	ME 1001	3,000
49,20		154,93		CL	ORIGINAL	ME 1001	3,000
50,00		131,20		CL		ME 1001	2,600
50,00		164,00		LL	SCANIA T70	ME 1001	3,700
52,00		133,00		CL	587,30	ME 1001	2,900
52,00		133,00		CL	587,30	ME 1001	3,200
52,00		133,00		CL	587,30 ORIGINAL	ME 1001	3,200
52,00		147,20		CL	COMPACT 2045	ME 1001	3,300
52,00		147,20		SF	LONG LIFE	ME 1001	3,300
53,00		135,00		CL	MB 286,37	ME 1001	3,100
53,00		135,00		SF	LONG LIFE	ME 1001	3,000
55,00		164,00		LL		ME 1001	4,200
55,60		205,60		LL	SPICER 1850 STD,	ME 1001	5,700
57,00		144,00		CL	587,35	ME 1001	4,000



## MODEL 1

CL= CENTRAL LUBRICATION    LL= LATERAL LUBRICATION  
 LC= LUBRICATION IN CAP    SF= SEALED FOR LIFE

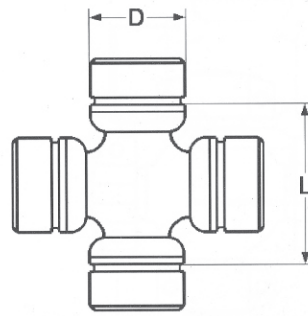
CAP Ø D IN MM	CAP Ø D IN MM	LENGTH L IN MM	LENGTH L IN MM	LUBRI- CATION	REMARK	ARTICLE NUMBER	WEIGHT IN KG
57,00		144,00		SF	LONG LIFE	ME 1001	4,000
57,00		152,00		CL	587,40	ME 1001	4,300
57,00		152,00		LC	587,40	ME 1001	4,200
57,00		152,00		CL	COMPACT 2055	ME 1001	4,200
57,00		152,00		SF	LONG LIFE	ME 1001	4,200
57,00		172,00		CL	286,57 IVECO/DAF	ME 1001	4,000
58,00		158,80			GOTTWALD	ME 1001	
59,00		167,40		LL	COMPACT 2060	ME 1001	4,200
59,00		167,40		SF	LONG LIFE	ME 1001	4,200
59,00		167,40		CL	ORIGINAL	ME 1001	4,200
65,00		172,00		CL	587,48 / COMPACT 2065	ME 1001	6,430
65,00		172,00		SF	LONG LIFE	ME 1001	6,400
65,00		172,00		LC (4X)	587,48	ME 1001	5,800
65,00		220,00		LL	190,50	ME 1001	
65,10		205,60		LL	SPICER 110	ME 1001	
72,00		185,00		CL	587,50	ME 1001	7,900
74,00		154,00		LL	190,55	ME 1001	13,500
74,00		217,00		CL	587,55	ME 1001	
77,80		205,60				ME 1001	
83,00		139,00				ME 1001	
83,00		175,00		LL	GWB 190,60	ME 1001	
85,00		224,00				ME 1001	
95,00		250,00			VOITH 315,9	ME 1001	
95,00		190,00		LL	190,0	ME 1001	25,000
110,00		210,00		LL	190,70	ME 1001	



## MODEL 2

CL= CENTRAL LUBRICATION    LL= LATERAL LUBRICATION  
 LC= LUBRICATION IN CAP    SF= SEALED FOR LIFE

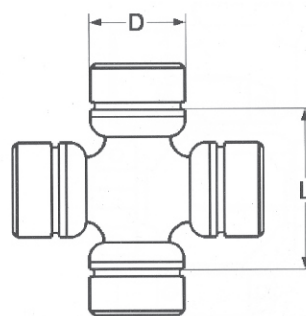
CAP Ø D IN MM	CAP Ø D IN MM	LENGTH L IN MM	LENGTH L IN MM	LUBRI- CATION	REMARK	ARTICLE NUMBER	WEIGHT IN KG
20,10		35,00			NISSAN	ME 1001	0,190
22,50		35,00		LC	MAZDA	ME 1001	0,230
23,80		34,90		CL		ME 1001	0,280
23,80		35,40		CL		ME 1001	0,280
24,00		34,30		CL		ME 1001	0,300
24,00		40,00		LL		ME 1001	0,300
24,00		61,00				ME 1001	0,270
24,60		33,50		CK		ME 1001	0,280
25,00		40,00		LC	NISSAN	ME 1001	0,310
25,00		41,20		LC	MAZDA	ME 1001	0,310
25,40		39,10		LC	OPEL	ME 1001	0,350
25,40		54,60		LL		ME 1001	0,420
25,40	28,60	54,70	54,70	LL		ME 1001	0,450
26,00		42,00		LC		ME 1001	0,350
26,00		45,10		CL		ME 1001	0,350
26,00		51,00		LL		ME 1001	0,420
26,50		48,00		LC	MAZDA	ME 1001	0,480
27,00		46,00		SF	NISSAN PATROL	ME 1001	0,440
27,00		52,40		LL		ME 1001	0,440
27,00		52,40		SF	BRUTE FORCE	ME 1001	0,450
27,00		57,50		LL		ME 1001	0,500
27,10		42,30		CL		ME 1001	0,370
27,40		50,80		LL		ME 1001	0,450
27,40		50,80		SF	BRUTE FORCE	ME 1001	0,450
28,00		44,0		LL	FORD	ME 1001	0,480
28,00		49,00		LL		ME 1001	0,480
28,00		53,00		LL	NISSAN	ME 1001	0,470
28,60		50,80		LL		ME 1001	0,480
28,60		60,10		LL		ME 1001	0,580
28,60		60,10		SF		ME 1001	0,580
28,60		60,10		LC		ME 1001	0,580
28,60		62,00		LL		ME 1001	0,580
29,00		49,00		LL	TOYOTA	ME 1001	0,520
29,00		49,00		CL	TOYOTA	ME 1001	0,520
29,00		49,00		SF	TOYOTA BRUTE FORCE	ME 1001	0,520
29,00		50,00		LL	ISUZU	ME 1001	0,500
29,00		51,99		SF		ME 1001	0,520
29,00		49,20		LL		ME 1001	0,520
30,00		55,10		CL	MITSUBISHI	ME 1001	0,600
30,20		52,60		SF		ME 1001	0,610
30,20		52,60		SF	BRUTE FORCE	ME 1001	0,610
30,20		60,40		LL		ME 1001	0,700
31,00		44,00		SF		ME 1001	0,630
31,30		46,00		CL		ME 1001	0,630



## MODEL 2

CL= CENTRAL LUBRICATION    LL= LATERAL LUBRICATION  
 LC= LUBRICATION IN CAP    SF= SEALED FOR LIFE

CAP Ø D IN MM	CAP Ø D IN MM	LENGTH L IN MM	LENGTH L IN MM	LUBRI- CATION	REMARK	ARTICLE NUMBER	WEIGHT IN KG
31,30		49,20				ME 1001	0,600
31,30		71,40		LL		ME 1001	0,850
32,00		57,00		CL	MAZDA	ME 1001	0,730
32,00		61,00		LL	TOYOTA	ME 1001	0,730
33,30		105,00		LL		ME 1001	1,200
34,90		73,00		LL		ME 1001	1,100
38,00		57,00		CL	285,20	ME 1001	0,900
41,20		142,00		LL		ME 1001	2,400
42,00		66,00		CL		ME 1001	1,700
48,00		78,00				ME 1001	2,300
68,00		117,00		SF		ME 1001	8,000
68,00		117,00		CL		ME 1001	8,000
68,00		89,00		CL		ME 1001	7,900
68,00		89,00		SF	LONG LIFE	ME 1001	7,900

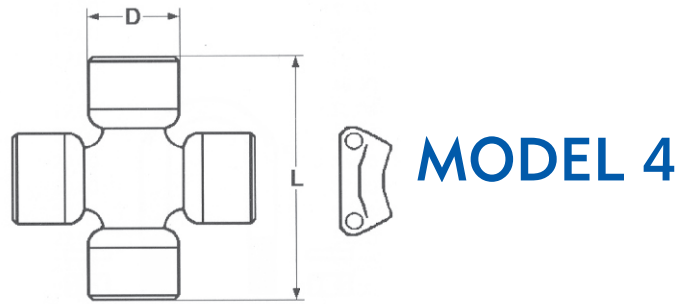


## MODEL 3

CL= CENTRAL LUBRICATION    LL= LATERAL LUBRICATION  
 LC= LUBRICATION IN CAP    SF= SEALED FOR LIFE

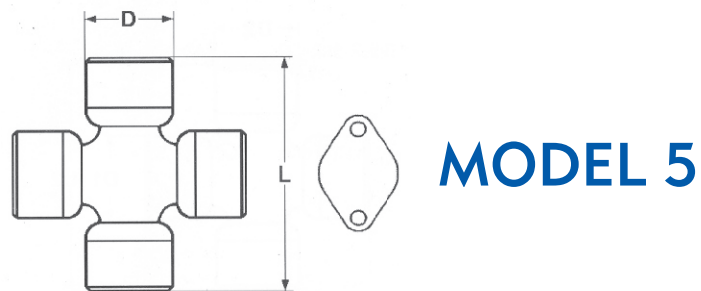
CAP Ø D IN MM	CAP Ø D IN MM	LENGTH L IN MM	LENGTH L IN MM	LUBRI- CATION	ARTICLE NUMBER	WEIGHT IN KG
27,00	25,40	62,00	38,50	CL	ME 1001	0,350
27,00	27,40	82,60	50,80	LL	ME 1001	0,450
27,00	28,60	82,00	50,80	LL	ME 1001	0,470
27,00	28,60	92,00	38,60	LL	ME 1001	0,580
27,00	28,60	92,00	60,10	LL	ME 1001	0,560
27,00	28,60	82,00	60,10	LL	ME 1001	0,530
27,00	28,60	82,00	63,50	LL	ME 1001	0,540
28,60	27,00	82,60	58,00	LL	ME 1001	0,500
28,60	27,00	92,00	66,80	LL	ME 1001	0,570





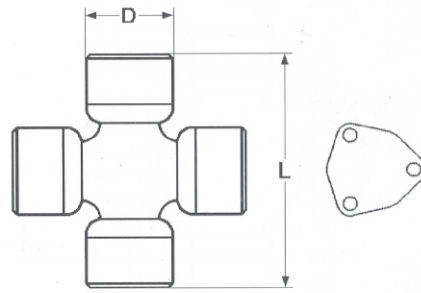
CL= CENTRAL LUBRICATION    LL= LATERAL LUBRICATION  
 LC= LUBRICATION IN CAP    SF= SEALED FOR LIFE

CAP Ø D IN MM	LENGTH L IN MM	LUBRI- CATION	REMARK	ARTICLE NUMBER	WEIGHT IN KG
49	140	CL	SPL 140	ME 1001	3,1
55	163,9	CL	SPL 170	ME 1001	5,8
60	162,8	CL	SPL 250	ME 1001	7



CL= CENTRAL LUBRICATION    LL= LATERAL LUBRICATION  
 LC= LUBRICATION IN CAP    SF= SEALED FOR LIFE

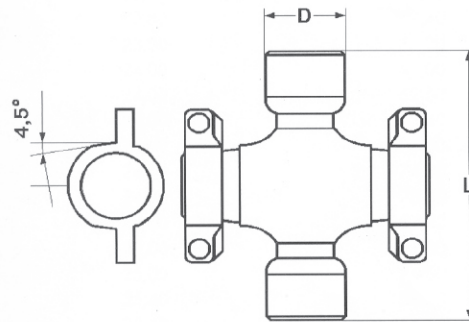
CAP Ø D IN MM	LENGTH L IN MM	LUBRI- CATION	REMARK	ARTICLE NUMBER	WEIGHT IN KG
39,70	115,90	LL	LOOSE PLATES 1510	ME 1001	2,000
39,70	115,90	LL	WELDED PLATES 1510	ME 1001	1,800
47,60	134,80	LL	LOOSE PLATES 1610	ME 1001	2,900
47,60	134,80	LL	WELDED PLATES 1610	ME 1001	2,900
49,20	154,80	LL	LOOSE PLATES 1710	ME 1001	3,600
49,20	154,80	LL	WELDED PLATES 1710	ME 1001	3,600
49,20	177,80	LL	WELDED PLATES 1760	ME 1001	4,300
49,20	191,70	LL	WELDED PLATES 1810	ME 1001	4,600
55,60	205,60	LL	WELDED PLATES 1880	ME 1001	6,200
59,00	167,40	LL	LOOSE PLATES 1800	ME 1001	5,100
59,00	167,40	LL	WELDED PLATES 1800	ME 1001	5,400
59,00	167,40	LL	LOOSE PLATES 1800	ME 1001	
65,10	205,60	LL	WELDED PLATES 1910	ME 1001	



## MODEL 6

CL= CENTRAL LUBRICATION    LL= LATERAL LUBRICATION  
 LC= LUBRICATION IN CAP    SF= SEALED FOR LIFE

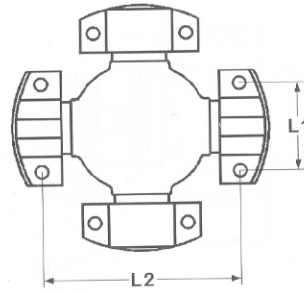
CAP Ø D IN MM	LENGTH L IN MM	LUBRI- CATION	REMARK	ARTICLE NUMBER	WEIGHT IN KG
44,00	126,00	CL	VOLVO NK300	ME 1001	2,300
50,00	152,60	CL	VOLVO NK400	ME 1001	3,700
57,00	152,50	CL	VOLVO NK500	ME 1001	5,100
57,00	152,50	SF	LONG LIFE	ME 1001	5,100



## MODEL 7

CL= CENTRAL LUBRICATION    LL= LATERAL LUBRICATION  
 LC= LUBRICATION IN CAP    SF= SEALED FOR LIFE

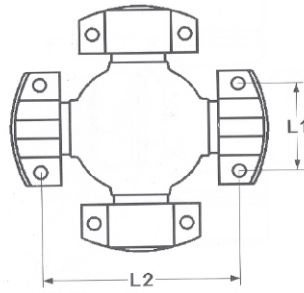
CAP Ø D IN MM	LENGTH L IN MM	LUBRI- CATION	REMARK	ARTICLE NUMBER	WEIGHT IN KG
38,00	148,00	CL	4,5 P300	ME 1001	2,500
38,00	148,00	CL	STRAIGHT	ME 1001	2,500
48,0	161,00	CL	4,5 P400	ME 1001	4,100
48,00	161,00	CL	STRAIGHT	ME 1001	4,100
48,00	161,00	CL	WITHOUT BRACKET	ME 1001	3,100
57,00	164,00	CL	4,5 P500	ME 1001	5,800
57,00	164,00	CL	STRAIGHT	ME 1001	5,900
57,00	164,00	CL	WITHOUT BRACKET	ME 1001	4,300
65,00	190,00	CL	WITHOUT BRACKET P600	ME 1001	6,600



## MODEL 10

CL= CENTRAL LUBRICATION    LL= LATERAL LUBRICATION  
 LC= LUBRICATION IN CAP    SF= SEALED FOR LIFE

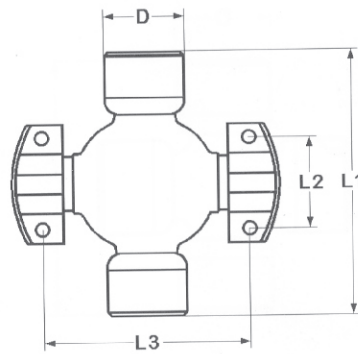
CAP Ø L1 IN MM	CAP Ø L1 IN MM	LENGTH L2 IN MM	LENGTH L2 IN MM	LUBRI- CATION	REMARK	ARTICLE NUMBER	WEIGHT IN KG
33,30		60,00		LL	2C LWD	ME 1001	0,590
33,30		60,00		LL	2C LWT	ME 1001	0,600
33,30		60,00		LL	2C 2X LWD 2X LWT	ME 1001	0,640
36,50		49,00		LL	FERRARI	ME 1001	0,650
36,50		69,90		LL	3C HWD	ME 1001	1,000
36,50		69,90		LL	3C LWD	ME 1001	1,000
36,50		69,90		LL	3C LWT	ME 1001	0,910
36,50		69,90		LL	3C LWT/LWD	ME 1001	0,840
36,50		69,90		LL	3C LWT/HWD	ME 1001	0,900
36,50		87,30		LL	4C HWD	ME 1001	1,200
36,50		87,30		LL	4C LWD	ME 1001	1,100
36,50		87,30		LL	4C LWD/HWD	ME 1001	1,100
36,50		87,30		LL	4C LWT	ME 1001	1,400
36,50		87,30		LL	4C LWT/HWD	ME 1001	1,200
36,50		87,30		LL	4C LWT/LWD	ME 1001	1,200
42,90		88,90		LL	5C HWD	ME 1001	2,100
42,90		88,90		LL	5C LWD	ME 1001	1,600
42,90		88,90		LL	5C LWT	ME 1001	1,500
42,90		88,90		LL	5C LWT/HWD	ME 1001	1,900
42,90		88,90		LL	5C LWT/LWD	ME 1001	1,500
42,90		114,30		LL	6C HWD	ME 1001	2,400
42,90		114,30		SF	6C HWD LONG LIFE	ME 1001	2,400
42,90		114,30		LL	6C LWT	ME 1001	2,000
42,90		114,30		LL	6C DELTAWING	ME 1001	2,400
42,90		114,30		LL	6C LWT/HWD	ME 1001	2,000
42,90		114,30		LL	6C LWT/LWD	ME 1001	2,000
42,90	49,20	114,30	117,50	LL	6C LWT/ 7C HWD	ME 1001	2,800
49,20		104,00		CL	DEUTZ	ME 1001	2,800
42,90		108,00		LL	ROCKWELL 58WB	ME 1001	3,000
42,90		117,50		LL	7C HWD	ME 1001	3,400
42,90		117,50		SF	7C HWD LONG LIFE	ME 1001	3,400
42,90		117,50		LL	7C HWD/LWT	ME 1001	3,100
42,90		117,50		LL	7C LWT	ME 1001	2,800
42,90		117,50		LL	7C DELTAWING	ME 1001	3,000
42,90		174,60		LL	8C HWD	ME 1001	5,200
42,90		174,60		LL	8C LWD	ME 1001	4,100
42,90		174,60		LL	8C LWT	ME 1001	1,800
42,90		174,60		LL	8C DELTAWING	ME 1001	4,800
42,90		174,60		LL	8C LWT/HWD	ME 1001	4,800
42,90		174,60		LL	8C LWT/LWD	ME 1001	4,800
71,44		128,83		LL	8,5C HWD	ME 1001	6,500
71,44		128,83		LL	8,5C DELTAWING	ME 1001	5,800
71,44		128,83		LL	8,5C LWT	ME 1001	5,800
71,44		168,28		LL	9C HWD	ME 1001	6,500



## MODEL 10

CL= CENTRAL LUBRICATION    LL= LATERAL LUBRICATION  
 LC= LUBRICATION IN CAP    SF= SEALED FOR LIFE

CAP Ø D IN MM	CAP Ø D IN MM	LENGTH L IN MM	LENGTH L IN MM	LUBRI- CATION	REMARK	ARTICLE NUMBER	WEIGHT IN KG
71,44		168,28		LL	9C DELTAWING	ME 1001	6,500
71,44		168,28		LL	9C LWT	ME 1001	6,500
71,44		168,28		LL	9C LWT/HWD	ME 1001	6,500
92,20		165,10		LL	10C HWD	ME 1001	11,000
92,20		165,10		LL	10C LWD	ME 1001	11,000
92,20		241,30		LL	12C HWD	ME 1001	
71,40		168,30		LL	TWIN DISC J310	ME 1001	
88,90		172,70		LL	TWIN DISC J490 10, 5C	ME 1001	
88,90		172,70		LL	TWIN DISC J 600 11C	ME 1001	
100,70		199,80		LL	TWIN DISC J800 15C	ME 1001	
117,90		225,60		LL	TWIN DISC J1200	ME 1001	
					TWIN DISC GWB 205005	ME 1001	



## MODEL 11

CL= CENTRAL LUBRICATION    LL= LATERAL LUBRICATION  
 LC= LUBRICATION IN CAP    SF= SEALED FOR LIFE

CAP Ø D IN MM	CAP Ø D IN MM	LENGTH L IN MM	LENGTH L IN MM	LUBRI- CATION	REMARK	ARTICLE NUMBER	WEIGHT IN KG
30,20	106,40	36,50	87,30	LL	4C HWD/1410	ME 1001	1,200
34,90	106,40	42,90	88,90	LL	5C HWD/1480	ME 1001	1,600
34,90	106,40	42,90	88,90	LL	5C HWT/1480	ME 1001	1,600
34,90	127,00	42,90	114,30	LL	6C HWD/1550	ME 1001	1,900
34,90	127,00	42,90	114,30	LL	6C HWT/1550	ME 1001	1,900
41,30	142,50	42,90	117,50	LL	7C HWD/1650	ME 1001	2,700
41,30	142,50	42,90	117,50	LL	7C HWT/1650	ME 1001	3,100
49,20	191,70	71,44	168,28	LL	9C HWD/1810	ME 1001	
55,60	205,60	71,44	168,28	LL	9C HWD/1880	ME 1001	
55,60	205,60	71,44	168,28	LL	9C HWT/1880	ME 1001	
49,20	154,80	71,44	123,83	LL	8,5C / 1710	ME 1001	2,900
49,20	154,80	68,00	129,10	CL	TELMA SPECIAL	ME 1001	
47,60	134,80	68,00	111,10	CL	TELMA SPECIAL	ME 1001	